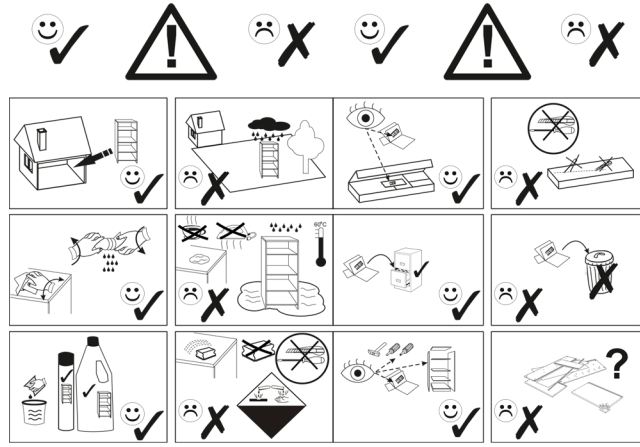
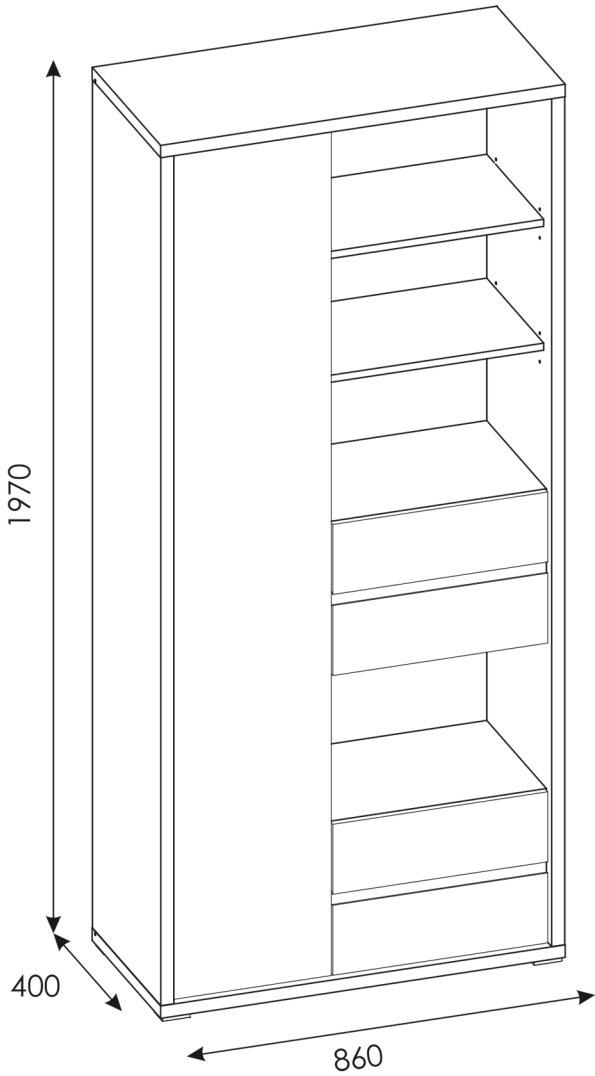
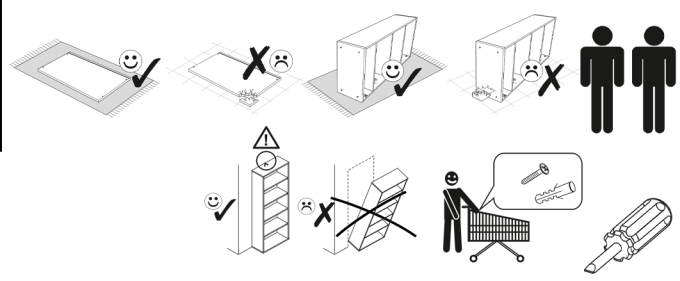
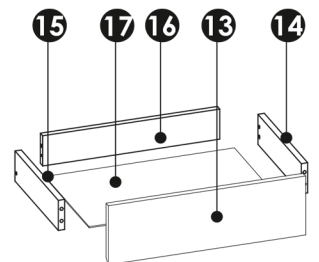
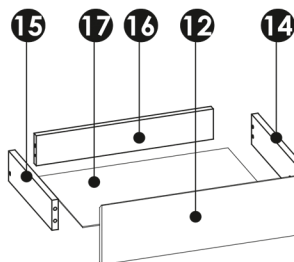
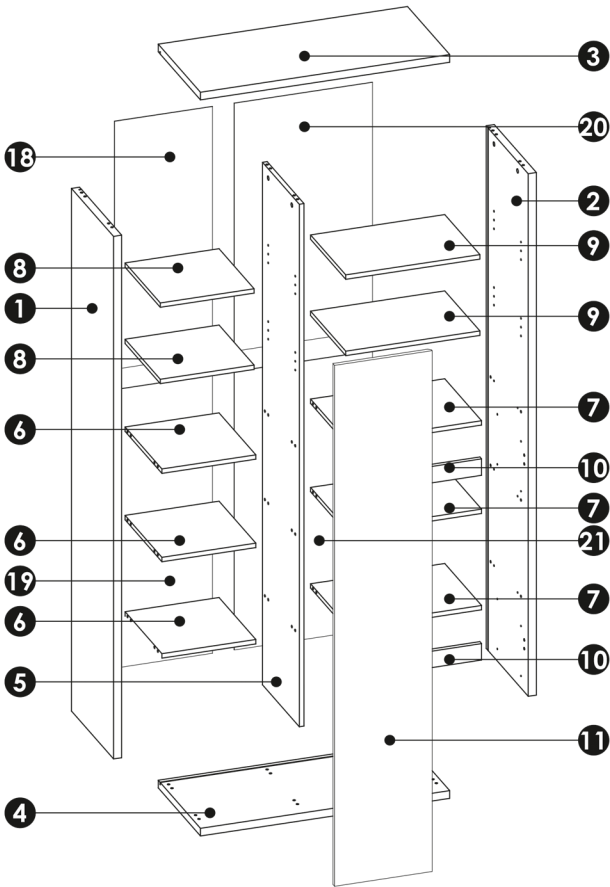


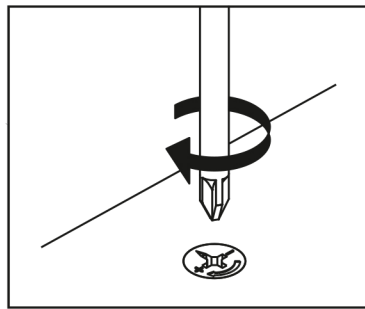
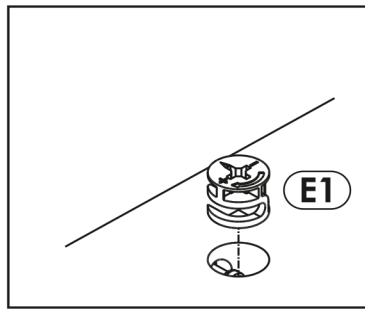
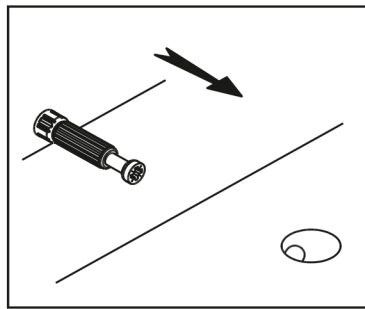
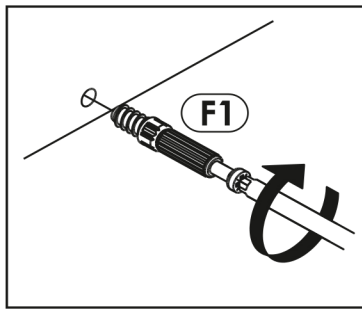
SHELDON - 12



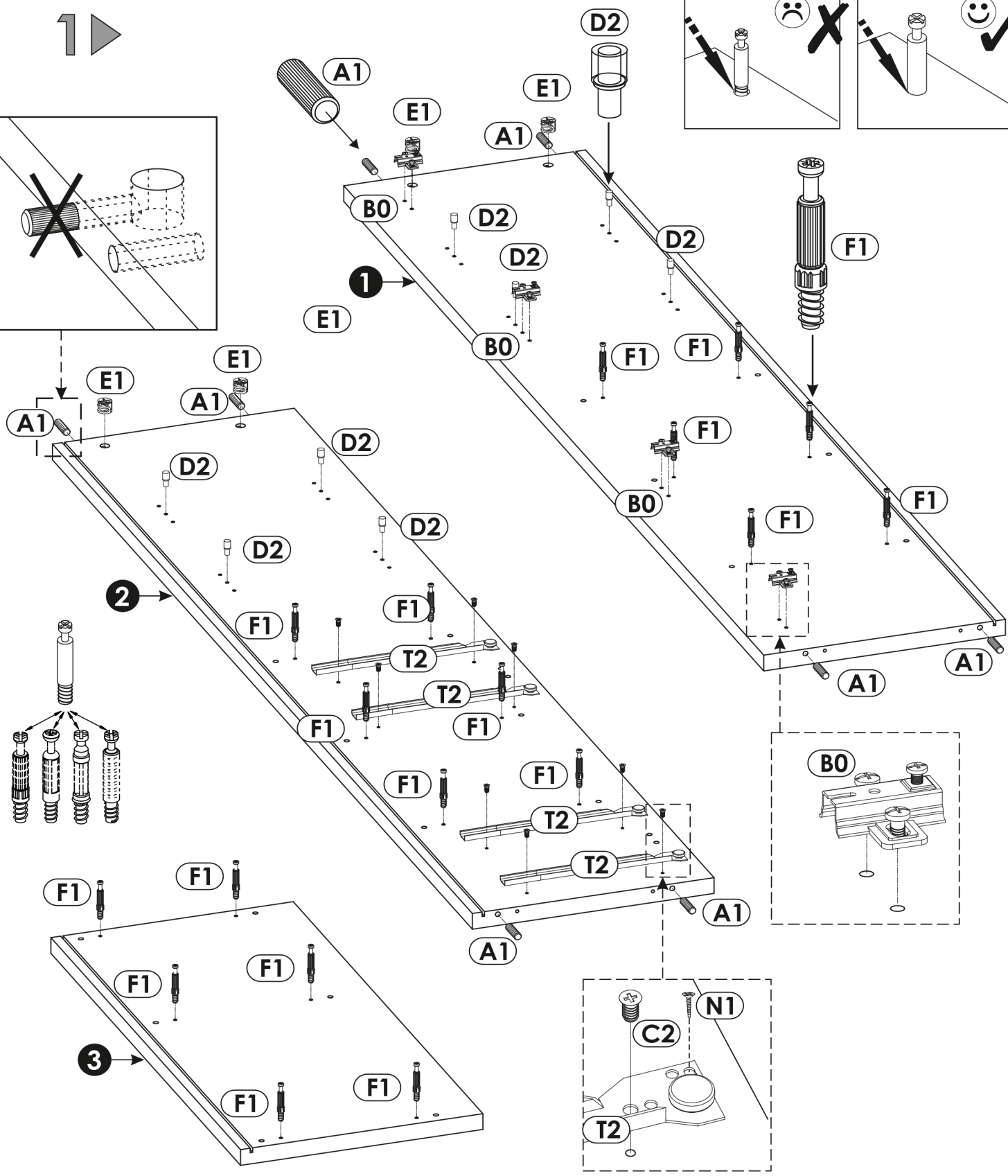
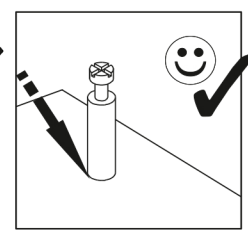
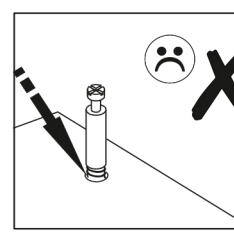
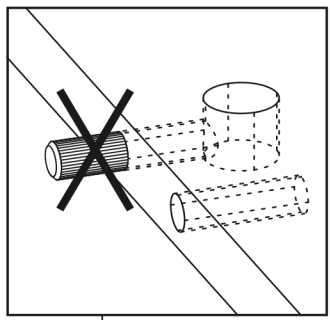
1	1904	399	28	x1	3/3
2	1904	399	28	x1	3/3
3	860	400	28	x1	1/3
4	860	400	28	x1	1/3
5	1904	349	16	x3	2/3
6	324	349	16	x2	2/3
7	463	349	16	x3	1/3
8	324	333	16	x2	2/3
9	463	333	16	x2	1/3
10	463	60	16	x2	1/3
11	1898	337	16	x2	2/3
12	457	157	16	x2	1/3
13	457	157	16	x2	1/3
14	330	80	16	x4	1/3
15	330	80	16	x4	1/3
16	406	80	16	x4	1/3
17	437	335	3	x4	2/3
18	903	338	3	x1	2/3
19	1014	338	3	x1	2/3
20	903	477	3	x1	1/3
21	1014	477	3	x1	1/3

A1	x48 ø8 x 35mm	A3	x 6 ø8 x 60 mm	B0	x4
B3	x4	C1	x8 EURO 4 x 13mm	C2	x16 EURO 5 x 13mm
D2	x16	E0	x38	E1	x8 ø15 x 12mm
F1	x26	F4	x 6 ø7 x 82 mm	G0	x14
G1	x8 ø7 x 50mm	G2	x6 ø7 x 60mm	I2	x1 4 x 16mm
J1	x24 US 3 x 20mm	M	x1	N1	x40 US 3 x 16mm
N2	x10 US 3.5 x 16mm	O15	x5	Q9	x1
R1	x 16	R4	x16	RB	x10
T2	x4	Z	x1		
L-300					

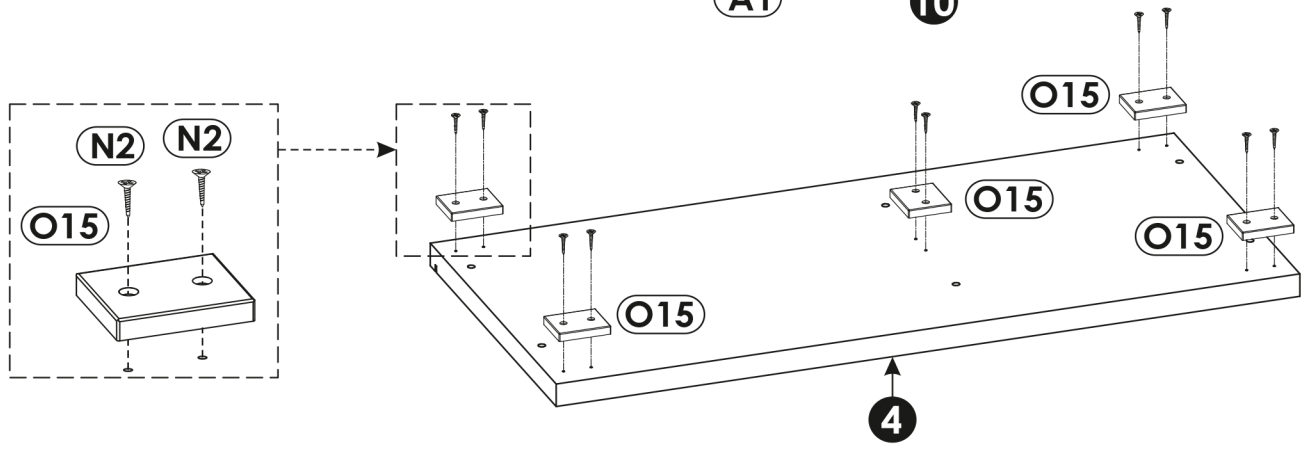
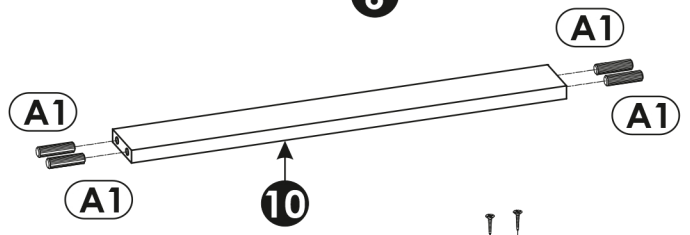
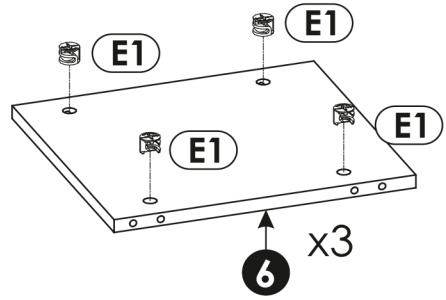
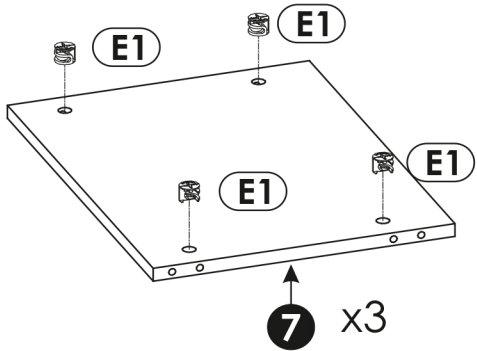
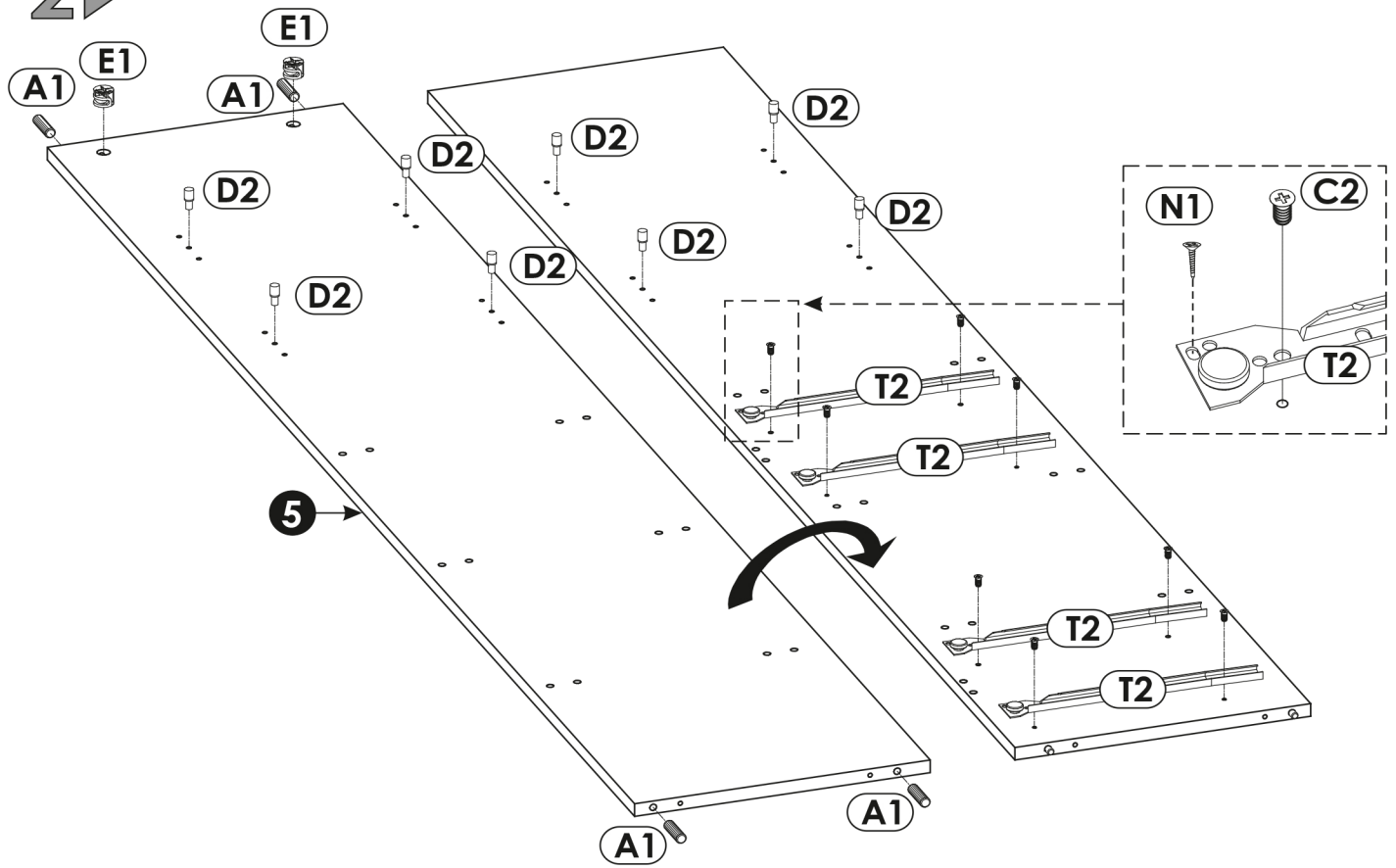




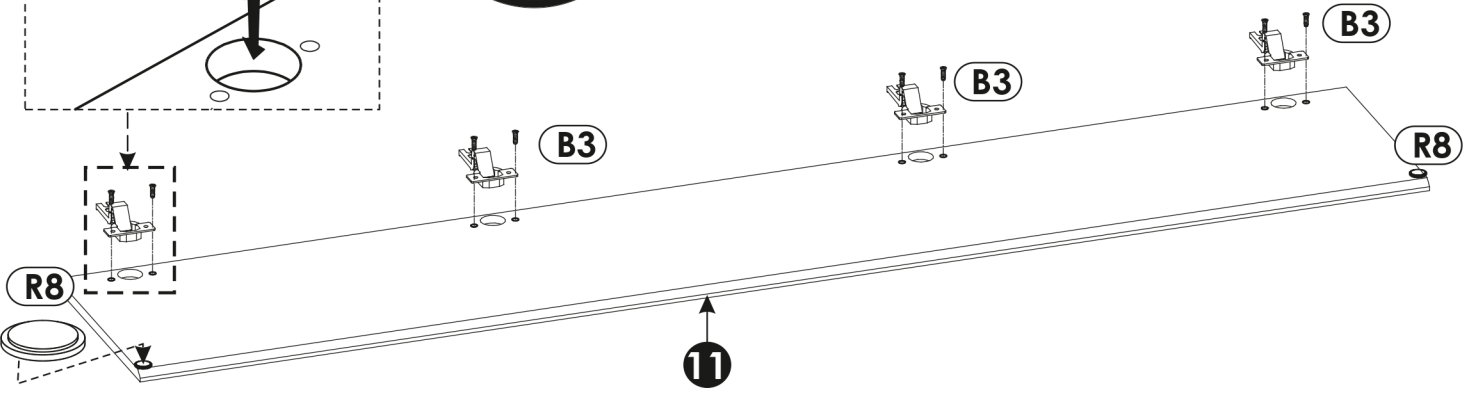
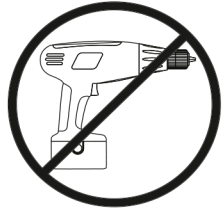
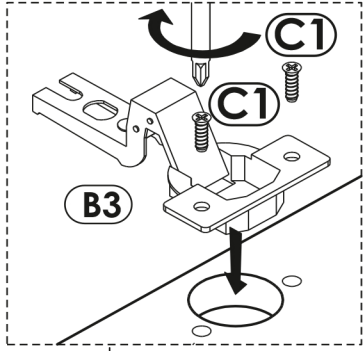
1 ▶



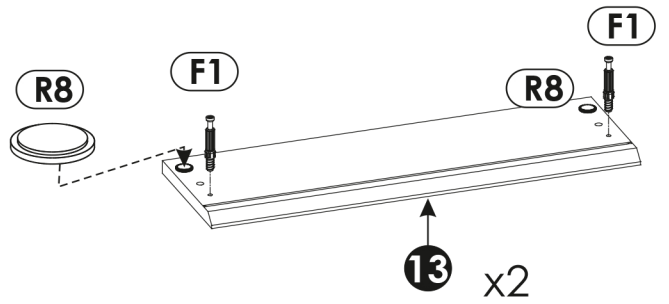
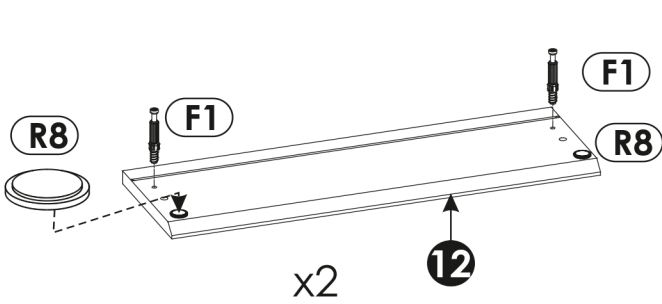
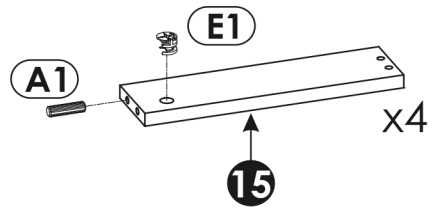
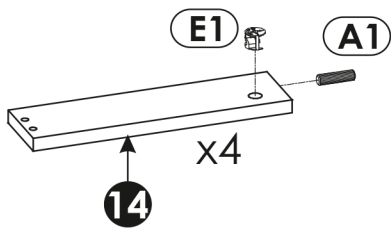
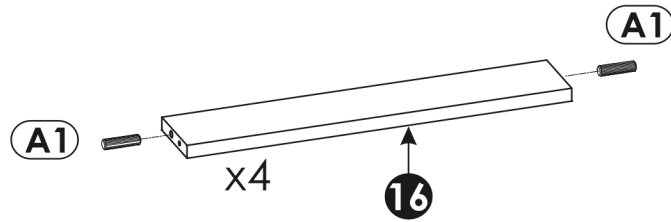
2 ▶



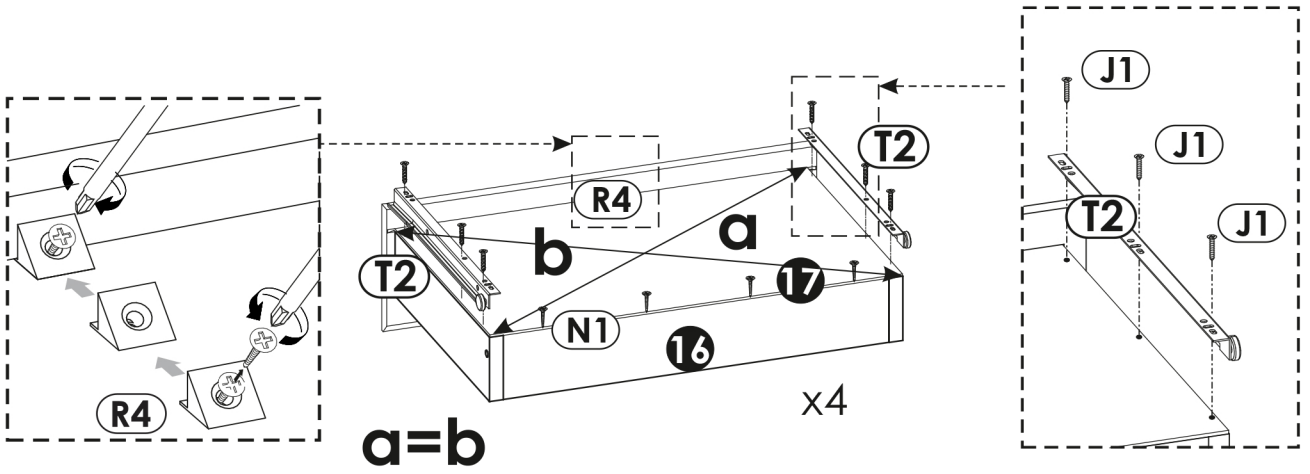
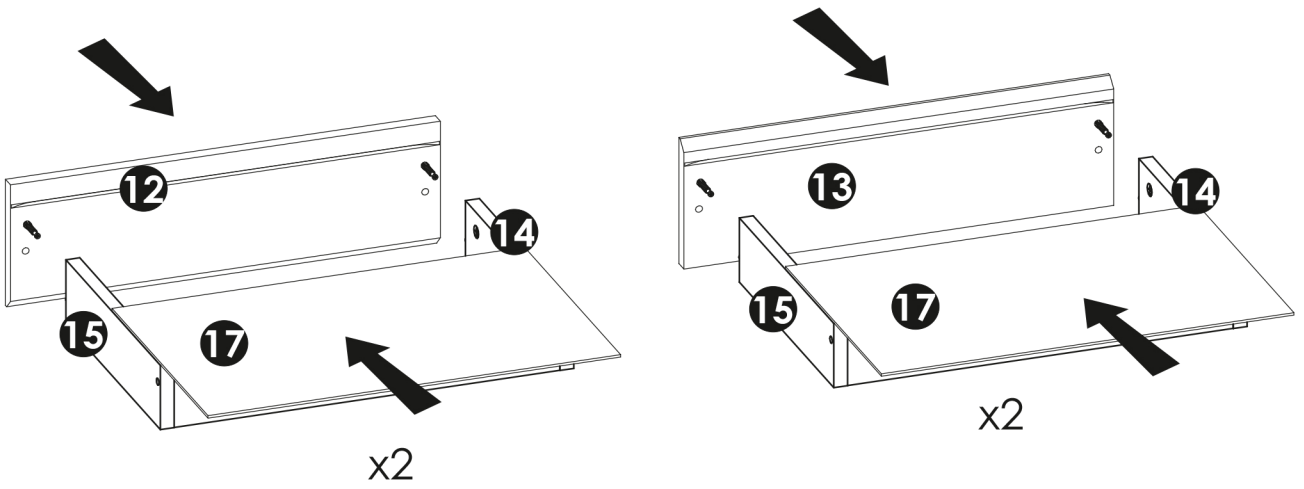
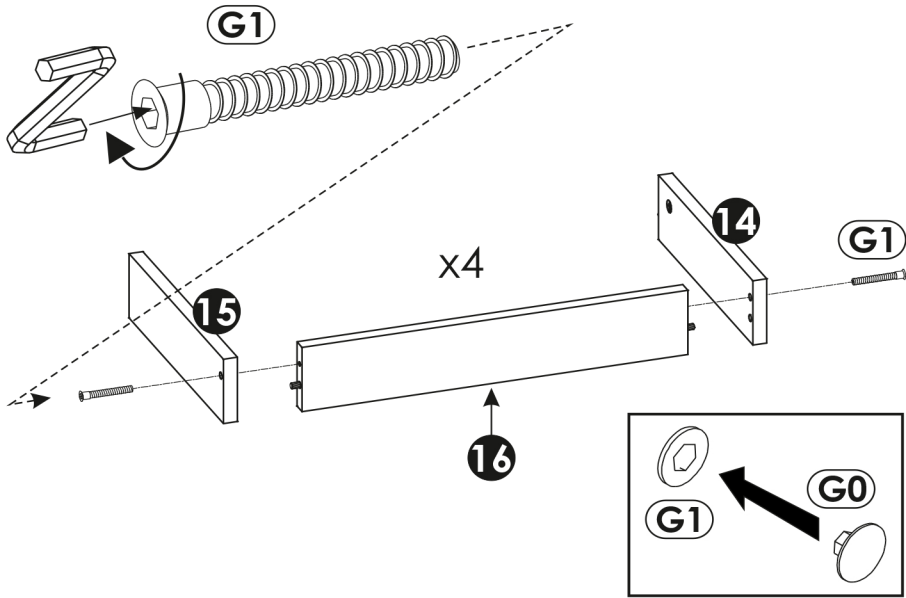
3 ▶



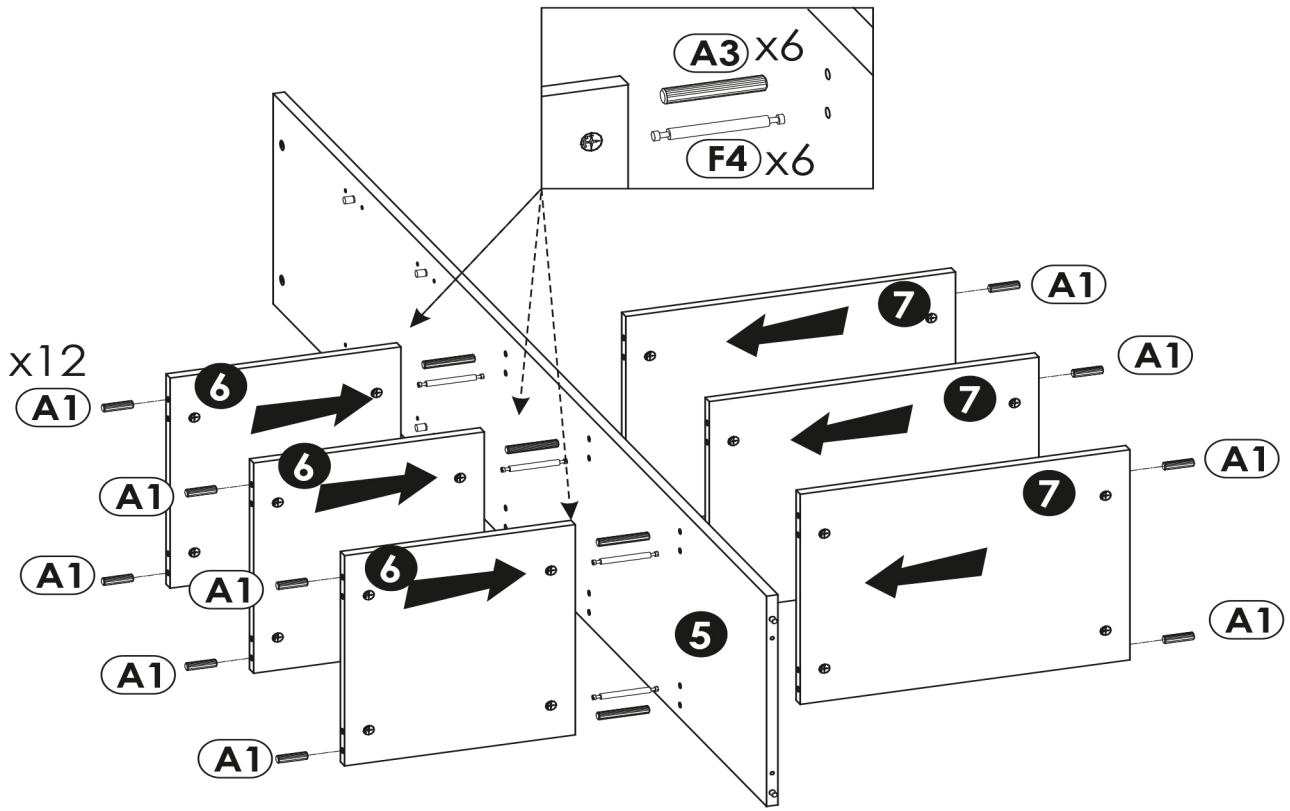
4 ▶



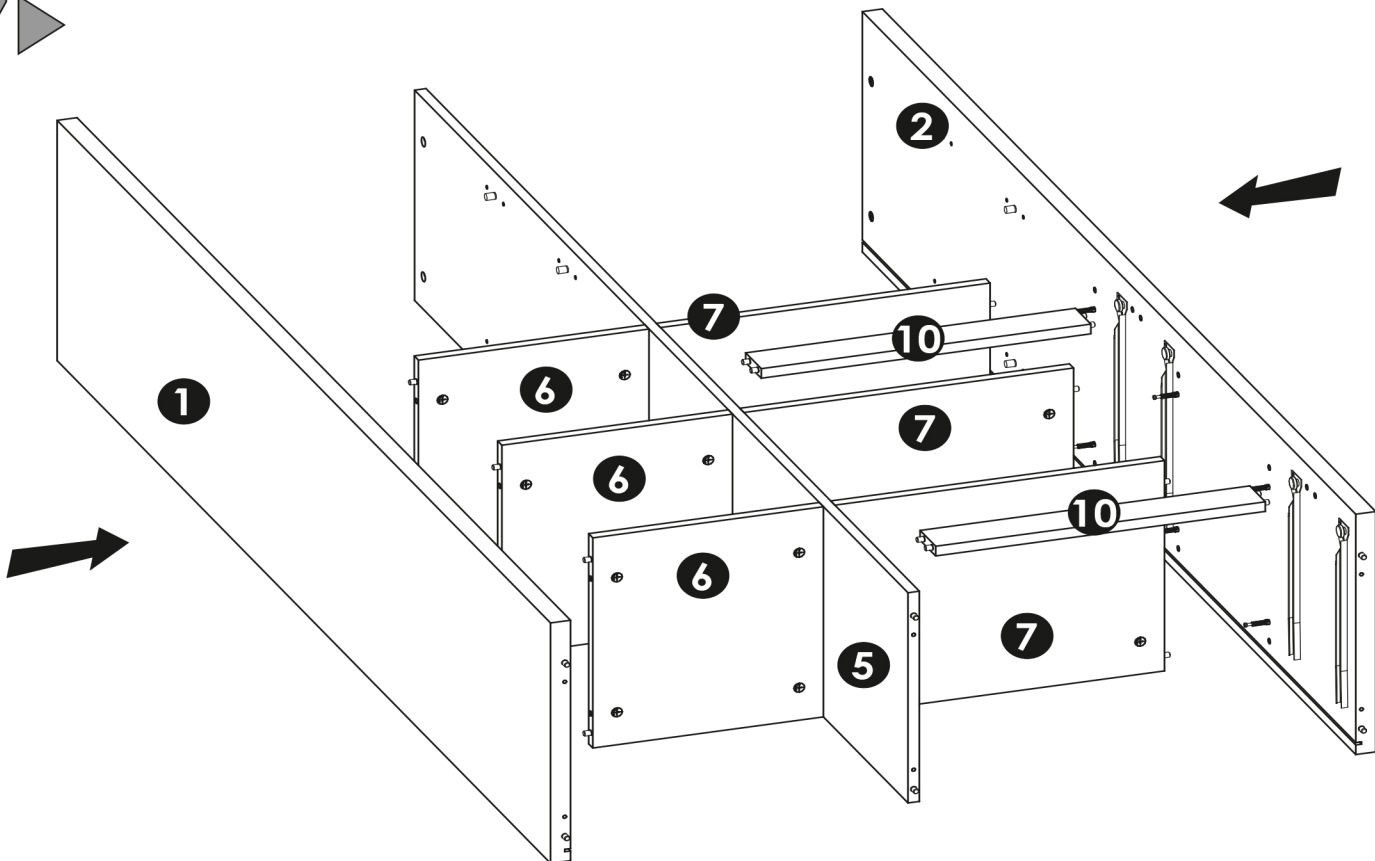
5 ▶



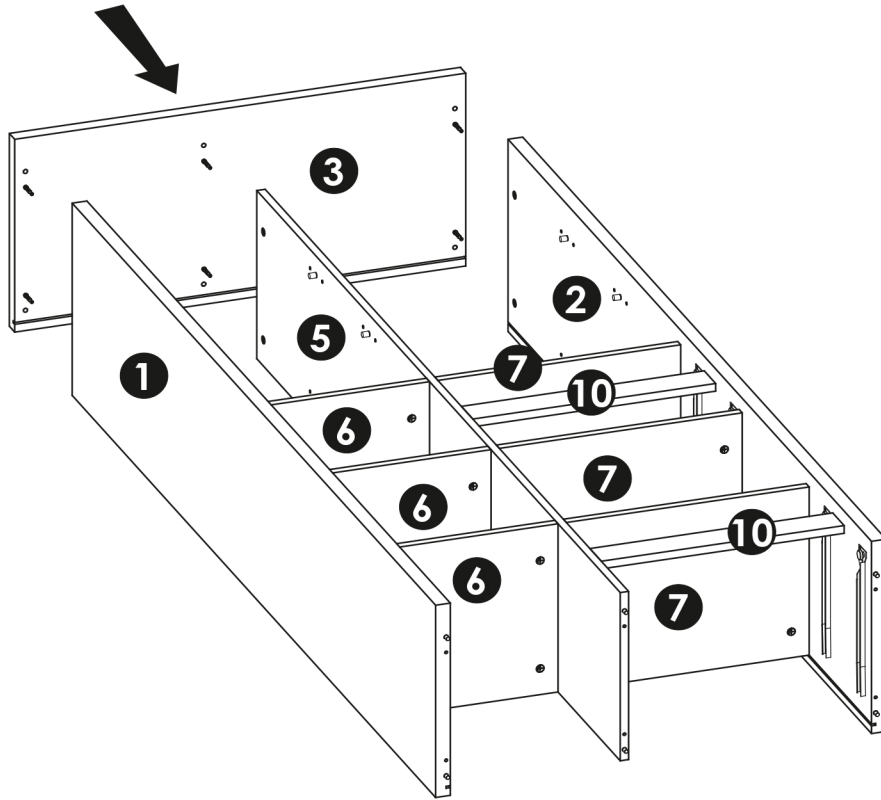
6 ▶



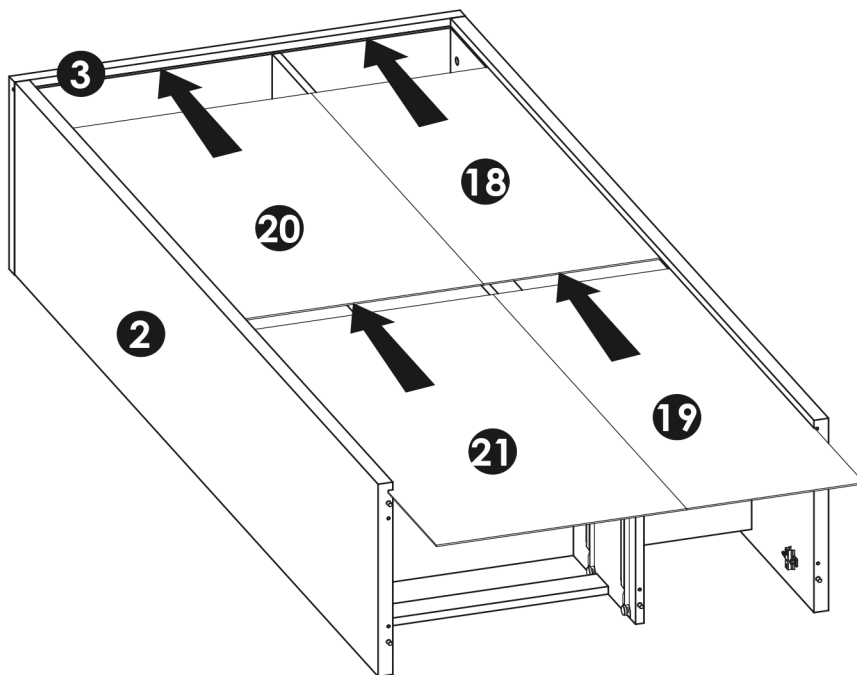
7 ▶



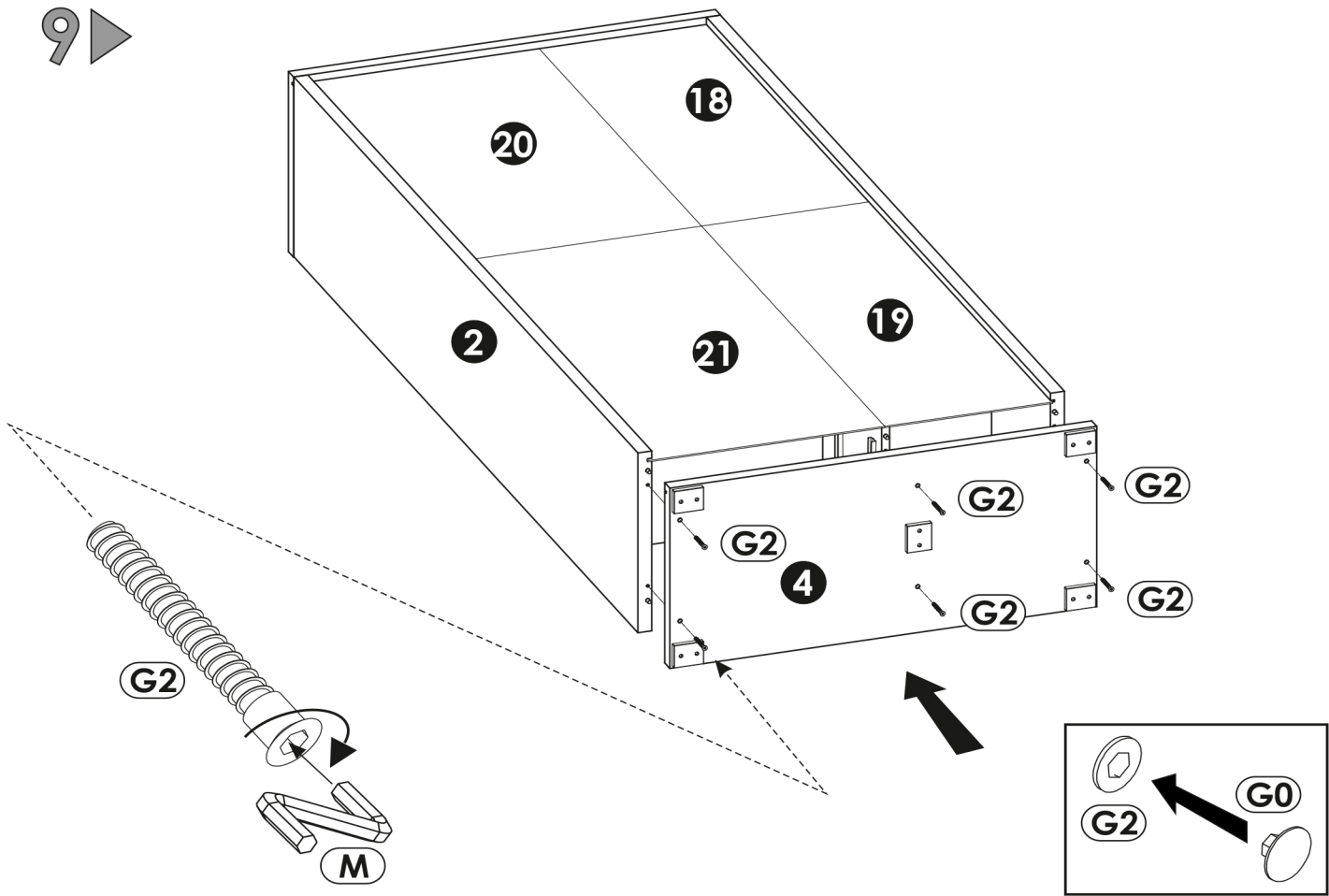
7 ▶



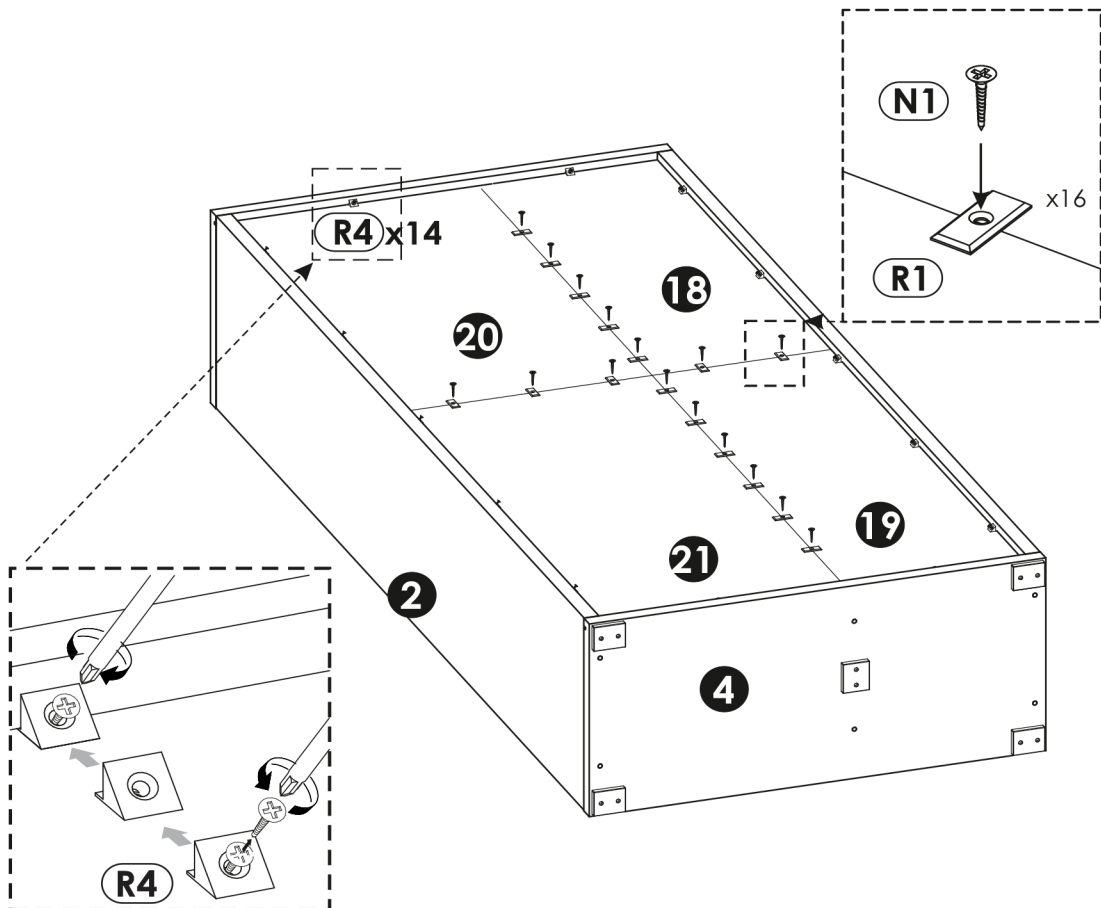
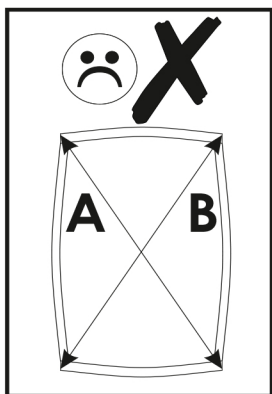
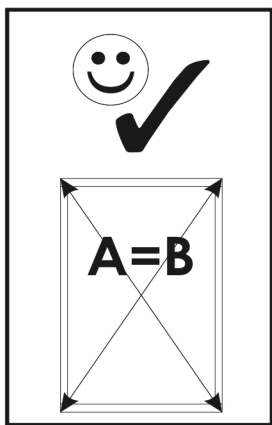
8 ▶



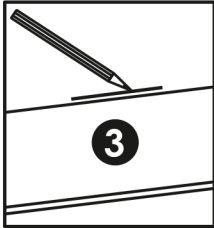
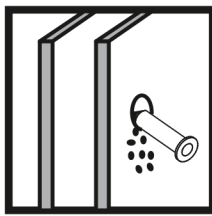
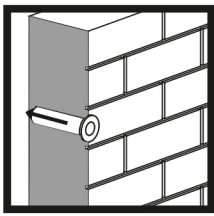
9 ▶



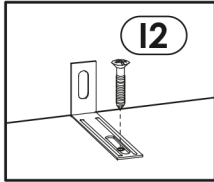
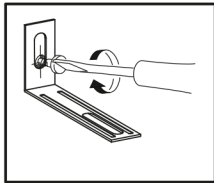
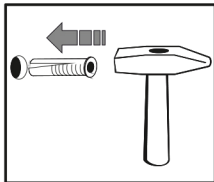
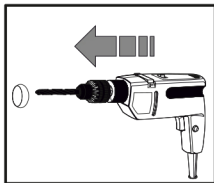
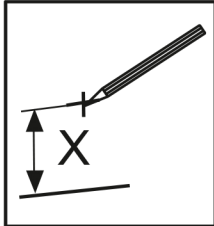
10 ▶



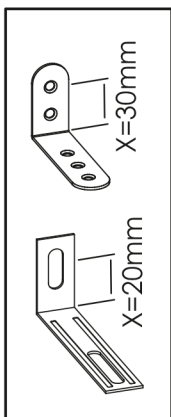
11 ▶



3

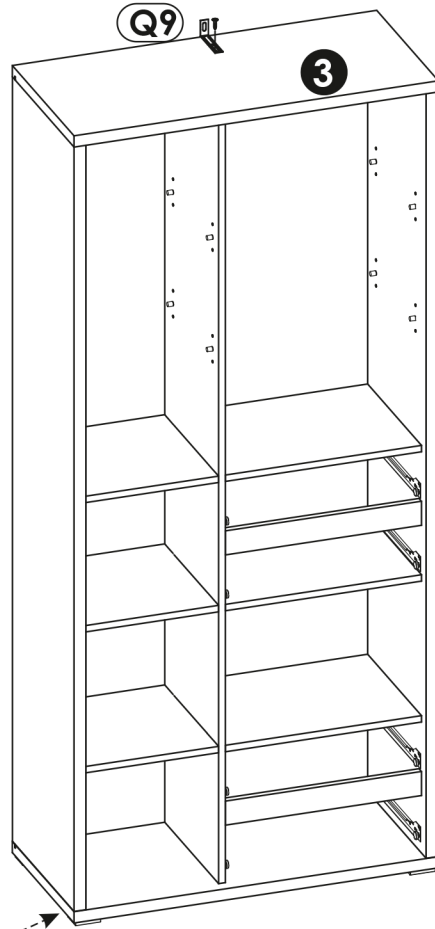
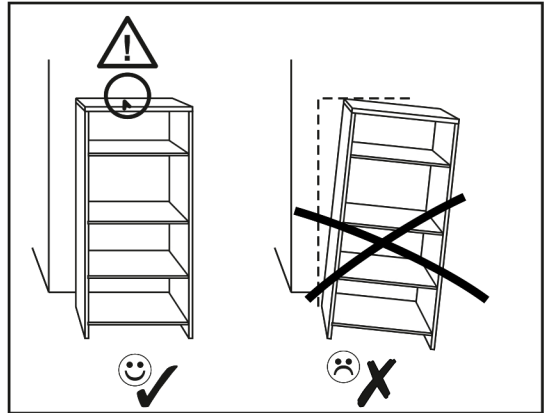


12



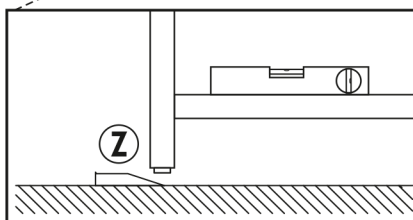
X=30mm

X=20mm

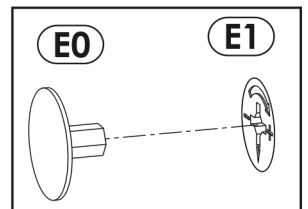


Q9

3



Z



E0

E1

